

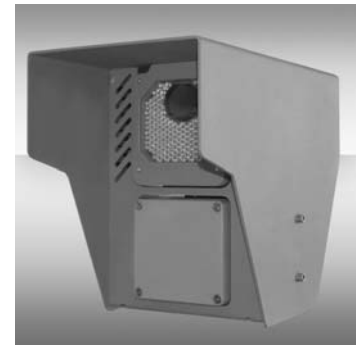
# Decatur SpeedCAM 100c technical sheet



B&W IR smart camera for speed enforcement

## ANPR CAMERA

<b>Sensor Size (H x V pixels)</b>	752 x 480
<b>Sensor</b>	B&W, Progressive scan CMOS
<b>Optical Size</b>	1/3"
<b>Pixel Size (in µm)</b>	6.0 x 6.0
<b>Max Frame Rate (at full resolution)</b>	60 frames/sec
<b>Video output format</b>	RAW, 8 bit grayscale
<b>Exposure Control</b>	Global shutter, software adjustable 1/100..1/30000 s
<b>Communication interface</b>	RJ45, 100 Mbit/sec
<b>Internal memory</b>	For 60 full frames
<b>Light sensor</b>	Included, Adjustable for switching day/night mode
<b>Filter</b>	IR pass (720 nm-)



## LENS

<b>Lens type</b>	6-36 mm varifocal, Motorized
<b>Iris, Focus, Zoom</b>	Remote control focus, iris, zoom
<b>Effective range for ANPR</b>	3 - 20 m (15-20m with speed measurement)

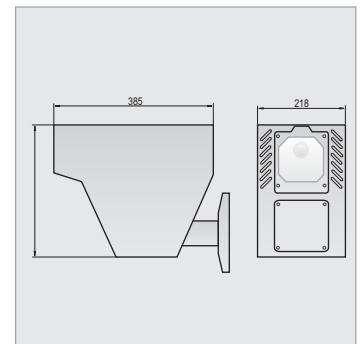


## ILLUMINATION

<b>Type</b>	Array of high quality IR LEDs, Controlled and synchronised flash
<b>Wavelength</b>	Default 850 nm (other wavelength upon request)
<b>Intensity</b>	4 preconfigured modes (Low, Normal, High, Ultra)
<b>Flash time</b>	Software adjustable, up to 950 µs

## MECHANICAL/ELECTRONICAL

<b>Power requirement</b>	24-28 VAC or 30-36 VDC
<b>Power consumption</b>	Avg. 30 W, Max. 48 W, depending on heating on/off
<b>Dimensions (L x W x H)</b>	385 mm x 218 mm x 316 mm (Including sunshield, w/o bracket)
<b>Weight</b>	11.5 kg (Including sunshield and bracket)
<b>IP rating</b>	IP 67
<b>Housing Color</b>	RAL 9007 (Other colors are available upon request)
<b>Temperature range</b>	-20 °C to +55 °C (Extra heating available)
<b>I/O ports</b>	Opto in <input checked="" type="checkbox"/> (Opto isolated input for trigger-in, 5..12 VDC)
	Serial RS232/S <input checked="" type="checkbox"/>

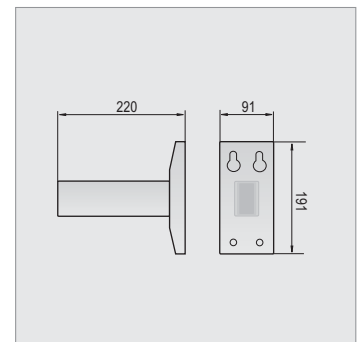


## RADAR

<b>Measurement principle</b>	Doppler-Radar
<b>Radar frequency</b>	24.165 GHz, K-Band
<b>Type of detection</b>	Movement, selectable uni- or bidirectional
<b>Installation angle</b>	10-25° for official speed measurement
<b>Operating mode</b>	Counting (signed) speed

## PC - with integrated ANPR software

<b>CPU</b>	1.6 GHz Intel Atom CPU 32 bit
<b>Storage</b>	4GB SSD memory (At least 3GB free memory for user data)
<b>Memory</b>	1GB DDR II.
<b>Network</b>	Gigabit ethernet card, Web-server for smooth communication
<b>Operating system</b>	Linux, Fedora11 32 bit



Technical specifications are subject to change without prior notice

Decatur Electronics Europe Inc.

Auratie 9, 67600 Kokkola, Finland

Phone: +358 207 528 508 Fax: +358 207 528 579

www.DecaturEurope.com E-mail: info@deatureurope.com

